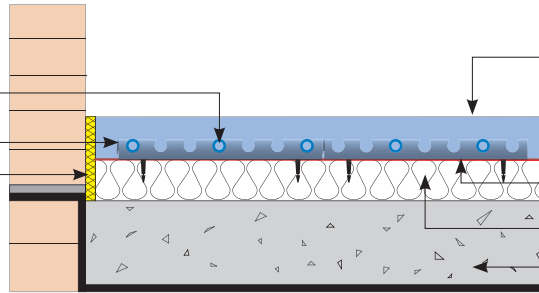


SC14 – 14mm Fastflo™ in screed with Cliptrack

Supplied by Nu-Heat

14mm Fastflo™ tubing
Cliptrack
Edge expansion strip



Supplied by others

65mm sand & cement screed
125 – 250µm polythene protection layer
Floor insulation (see note below)
Concrete slab

TECHNICAL INFORMATION

Screed

Standard 65mm deep sand and cement screed should be used at the ratio of 4 parts sand to 1 part cement. Care should be taken to ensure good contact between the underfloor heating tubes and the screed. It is important that the screed is as dense and consistent as possible to aid heat transfer.

Insulation

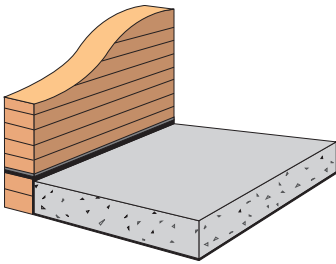
Ground floors: The insulation beneath the floor should be 70mm 'Celotex' or equivalent, or it must conform to Part L of the Building Regulations, whichever is the greater.

Upper floors: Insulation should be to a minimum of 30mm 'Celotex' to prevent downward migration of heat

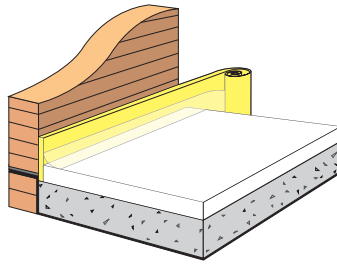
Apart from the edge expansion strip which is supplied by Nu-Heat, insulation materials are most economically sourced from local builders' merchants.

Note: The 'edge expansion strip' supplied by Nu-Heat should be fitted around all walls as an expansion medium. On external walls additional insulation material will be required to comply with Building Regulations.

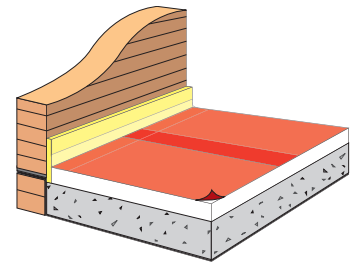
SEQUENCE OF LAYING THE FLOOR



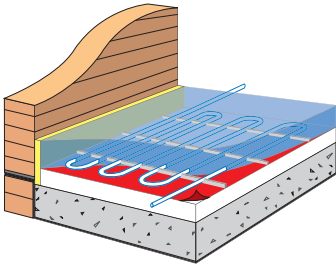
- 1** Lay the damp-proof membrane (dpm), concrete slab and damp-proof course (dpc) in accordance with current Building Regulations.



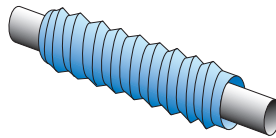
- 2** Roll out the edge expansion strip around the sides of the room and lay the floor insulation in accordance with current Building Regulations.



- 3** Cover with a 125 – 250µm polythene protection layer, overlapping sheets by at least 65mm. This layer is required to protect insulation from the screed.

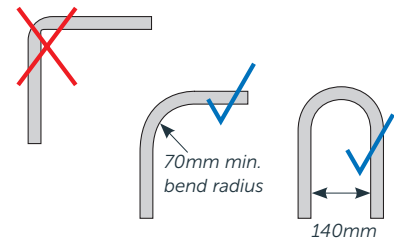


- 4** Fit the cliptrack and 14mm Fastflo™ tubing as in the instructions on the following page.
- 5** Screed the floor whilst the system is under 1 Bar pressure.



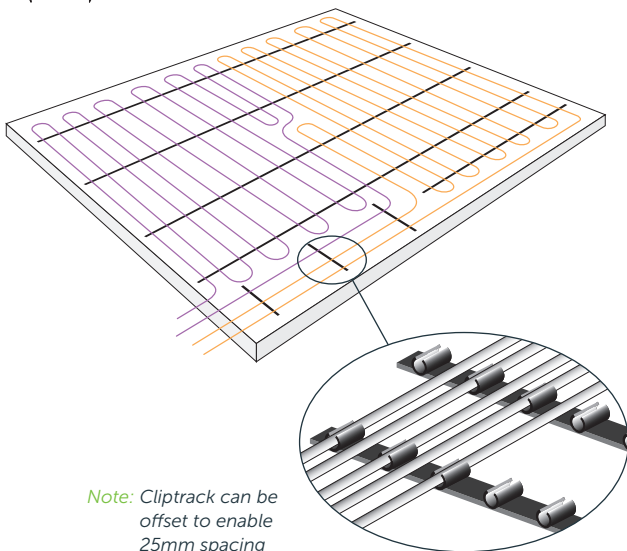
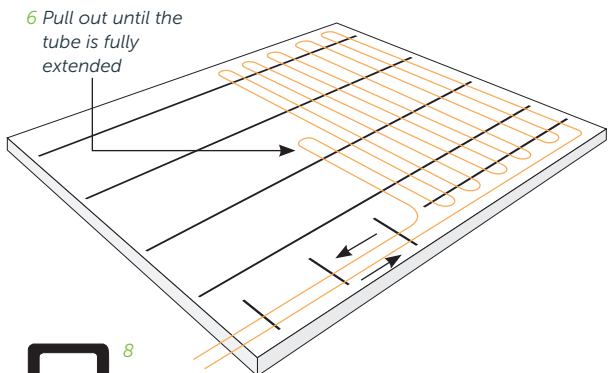
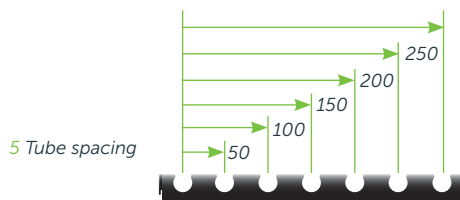
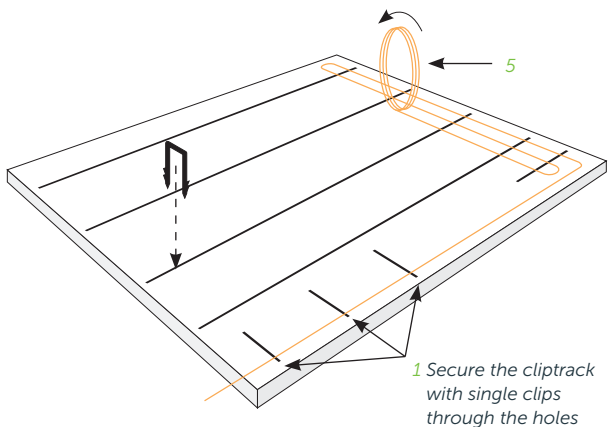
Notes:

On floor areas over 40m² a protective sleeve should be used to cover tubing where it crosses expansion joints. Please contact Nu-Heat for supply.



Never kink the Fastflo™ tube as this will damage the tube and restrict water flow.

SEQUENCE OF LAYING THE HEATING TUBE IN THE FLOOR



Note: Cliptrack can be offset to enable 25mm spacing

- 1 Fix the first few lengths of cliptrack at approximately 1m intervals.
- 2 Check the number and length of floor tubing coils needed for the room on the system plans. Each coil is marked every metre with its overall length and remaining coil length ending at 0m.

Note: All tube coils within a single zone must be no more than 10% different in length.

- 3 Connect one end of the tube to the correct port on the manifold as described in the *Installation Manual* and label it clearly.
- 4 Lay the tube from the manifold to the zone on the quickest, most direct route.
- 5 On reaching the zone, start unrolling the tube pushing it into the cliptrack as you go. Follow the layout shown on the system plans making sure to use the correct spacing as detailed. Place more cliptrack as needed at 1m intervals.
- 6 Carry on until you judge there is enough tube left to return to the correct manifold **plus any difference in supplied length and cut-length**. The markings on the tube can be used to help. Do not trim this excess or connect to the manifold at this stage.
- 7 If there are more coils indicated for this zone, they can now be laid in exactly the same way.
- 8 Individual clips can be used to secure tube where necessary.
- 9 Now simply continue working across the floor and back to the manifold making sure the floor is fully and evenly covered with tube.
- 10 When the correct number and lengths of tube are laid in the floor, trim excess coil length and connect to the manifold as described in the *Installation Manual*.
- 11 Pressure test the system as described in the *Installation Manual*.