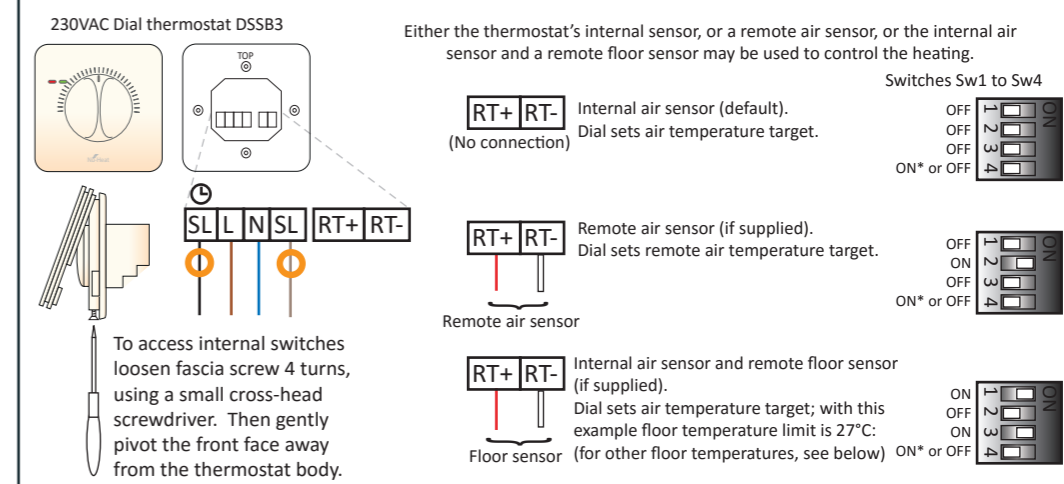


W2BMDS - Electrical 2nd fix, Boiler system, Manifold wiring centres and thermostats, Dial 230VAC thermostats

KEY
 Note: colour of wires may vary from those shown. Earth where required

- SL Switched Live
- L Live
- N Neutral
- E Earth
- Live voltage marker sleeve

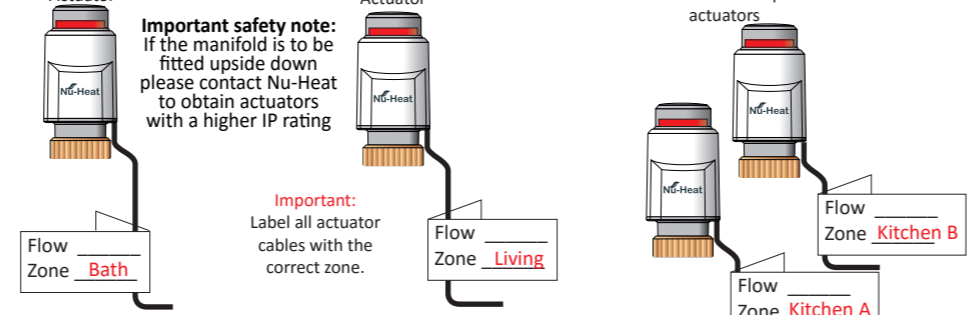
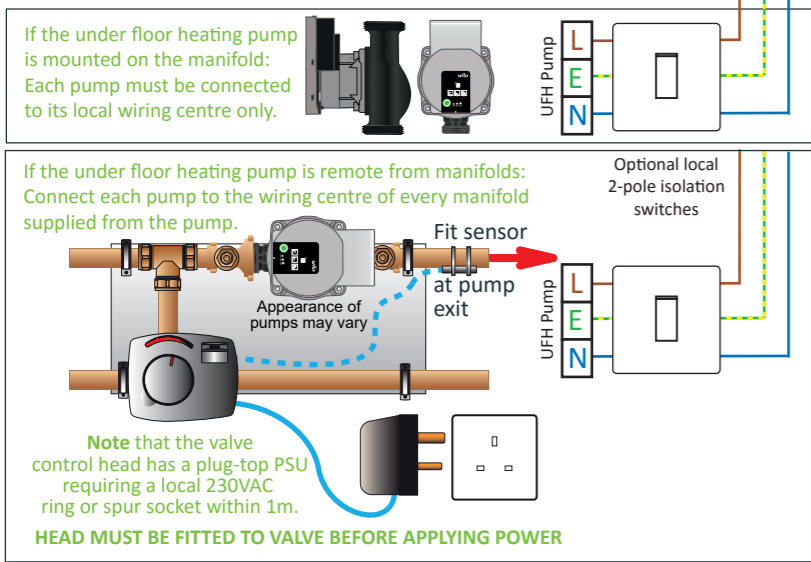
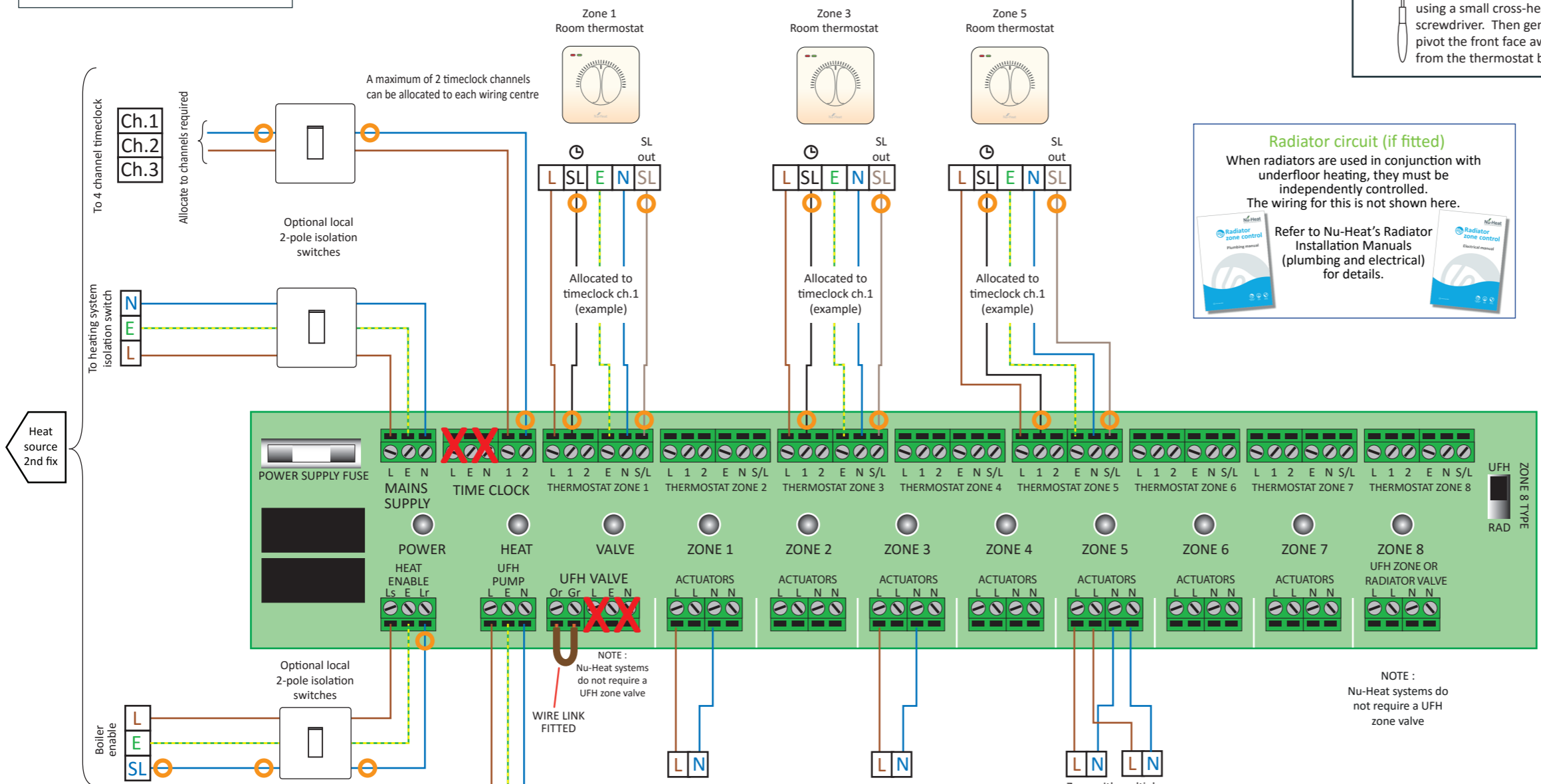


Radiator circuit (if fitted)
 When radiators are used in conjunction with underfloor heating, they must be independently controlled. The wiring for this is not shown here.

Refer to Nu-Heat's Radiator Installation Manuals (plumbing and electrical) for details.

Internal view Switches Sw1 to Sw4	Internal sensor	Remote air sensor	Floor sensor limit temperature			
	Sw1:	Sw2:	25°C	27°C	29°C	32°C
	OFF	OFF	ON	ON	OFF	ON
	OFF	ON	OFF	OFF	OFF	ON
	OFF	OFF	OFF	ON	ON	ON

*Timeclock control mode for thermostat
 Sw4: OFF = Timeclock controls ON/OFF
 Sw4: ON = Timeclock controls ON/SETBACK



Notes:

BS7671: 2008. Requirements for Electrical Installations, IEE Wiring Regulations, Building Regulations Electrical Safety (Part P)

Installation must be carried out by a Competent Person or, failing that, the local building control authority must be notified of the proposed work before commencement and the completed installation must be inspected by a Competent Person.

The schematic should be read in conjunction with the Underfloor heating Installation manual, the Solar manual, any Docking Drawings, 'Product assembly' sheets and the manufacturer's manuals provided.

All fused spurs must be fitted with 5 amp fuses unless otherwise stated. All fused spurs for the heating system must be from the same source.

Where live conductors are sleeved in a colour other than brown, coloured marker sleeves should be fitted at the ends of the wires to identify them.

Isolation switches must be fitted where required in accordance with current regulations.

Parts shown in outline are generally supplied by others. Where connections are shown to equipment that is not supplied by Nu-Heat, this is for guidance only. In all such cases the supplier's installation information should be checked before fixing and connecting the equipment.

In line with the company policy of product development, Nu-Heat reserves the right to supply different components to those shown.

This drawing is not site-specific. The number and type of pumps, wiring centres and thermostats might all vary from those shown.

If there is any aspect of the installation that you do not understand, please contact Nu-Heat Technical, quoting your QR (system reference) number.

Underfloor Heating Control System W2BMDS - Electrical 2nd fix, Boiler system, Manifold wiring centres and thermostats, Dial 230VAC thermostats

Nu-Heat
 UNDERFLOOR & RENEWABLES

Nu-Heat UK Ltd | Heathpark House | Devonshire Road
 Heathpark Industrial Estate | Honiton | Devon EX14 1SD

Online www.nu-heat.co.uk Phone 01404 540745