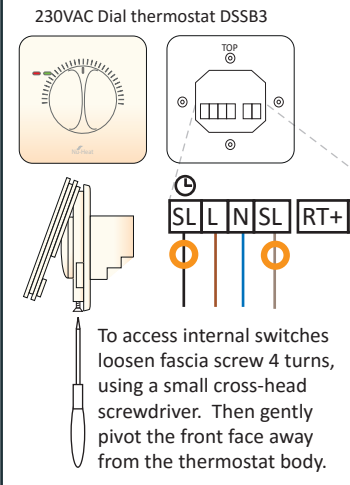
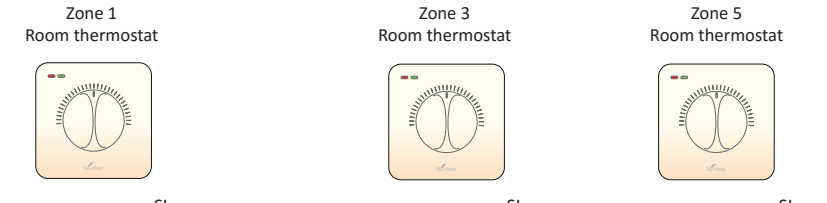
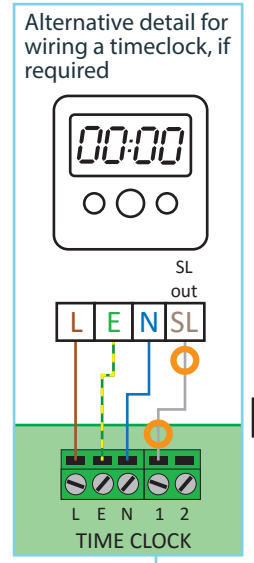


W2UHMS - Electrical 2nd fix, system with user supplied Heat Pump, Manifold wiring centres and thermostats, Dial 230VAC thermostats

KEY
 Note: colour of wires may vary from those shown. Earth where required

- SL Switched Live
- L Live
- N Neutral
- E Earth

Live voltage marker sleeve



Either the thermostat's internal sensor, or a remote air sensor, or the internal air sensor and a remote floor sensor may be used to control the heating.

Switches Sw1 to Sw4

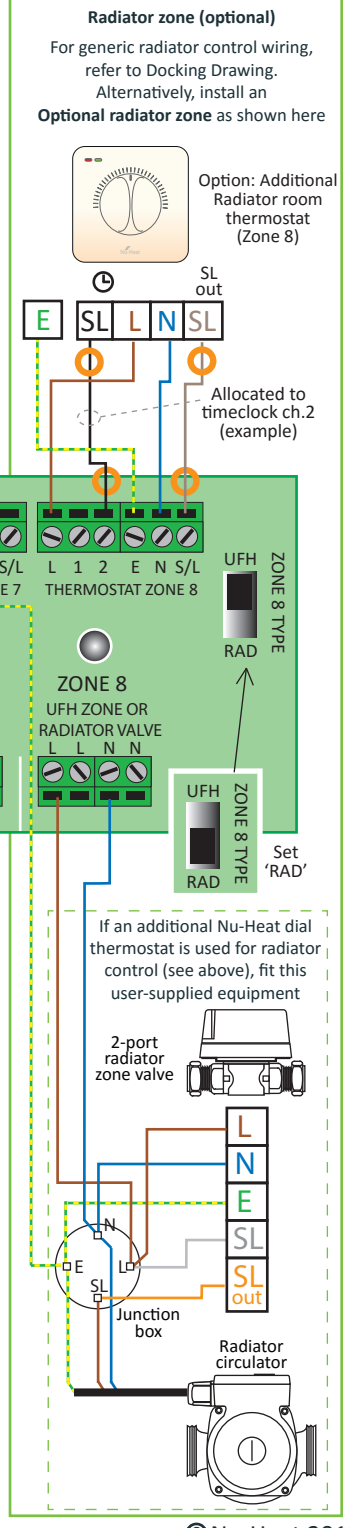
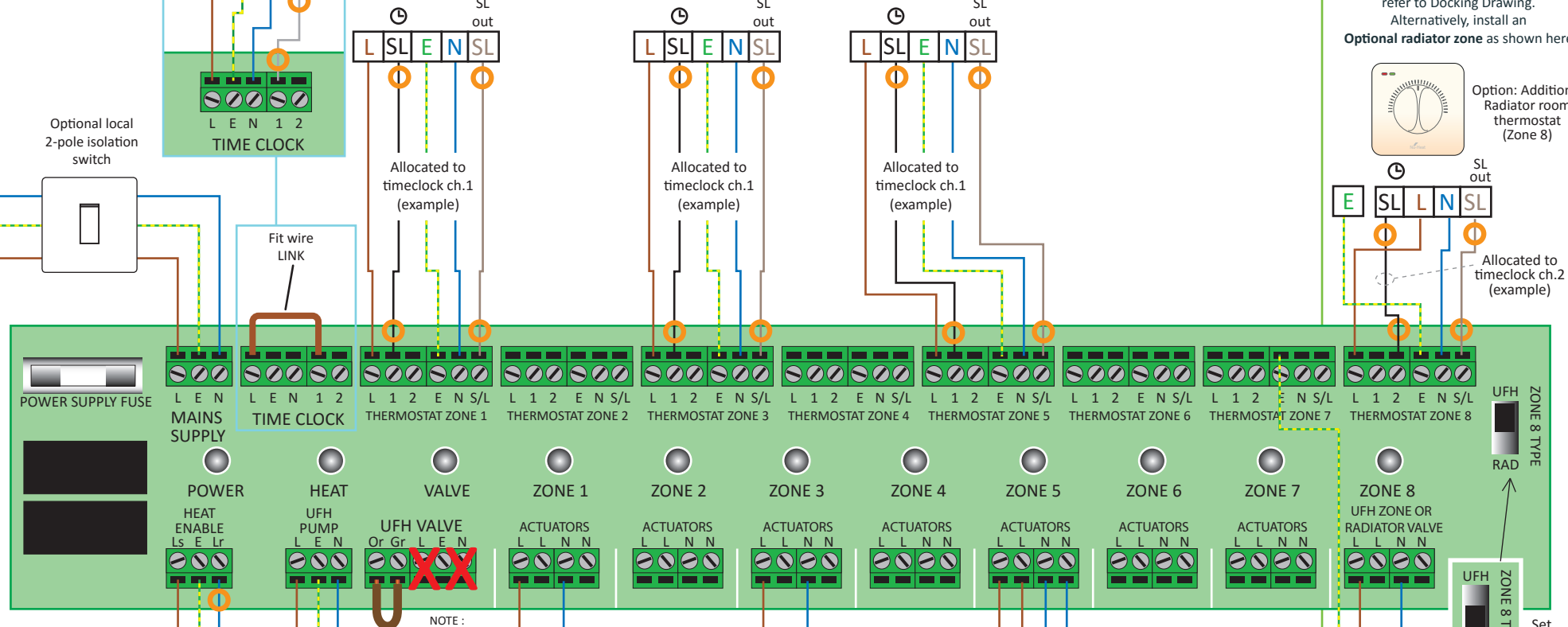
RT+ RT- (No connection)	Internal air sensor (default). Dial sets air temperature target.	OFF	
RT+ RT- (Remote air sensor)	Remote air sensor (if supplied). Dial sets remote air temperature target.	OFF	
RT+ RT- (Internal air sensor and remote floor sensor)	Internal air sensor and remote floor sensor (if supplied). Dial sets air temperature target; with this example floor temperature limit is 27°C: (for other floor temperatures, see below)	ON	

Internal view Switches Sw1 to Sw4

	Internal sensor	Remote air sensor	Floor sensor limit temperature			
	25°C	27°C	29°C	32°C		
Sw1:	OFF	OFF	ON	ON	OFF	ON
Sw2:	OFF	ON	OFF	OFF	OFF	ON
Sw3:	OFF	OFF	OFF	ON	ON	ON

*Timeclock control mode for thermostat

Sw4:	OFF = Timeclock controls ON/OFF
Sw4:	ON = Timeclock controls ON/SETBACK



Notes:

BS7671: 2008. Requirements for Electrical Installations, IEE Wiring Regulations, Building Regulations Electrical Safety (Part P)

Installation must be carried out by a Competent Person or, failing that, the local building control authority must be notified of the proposed work before commencement and the completed installation must be inspected by a Competent Person.

The schematic should be read in conjunction with the Underfloor heating Installation manual, the Solar manual, any Docking Drawings, 'Product assembly' sheets and the manufacturer's manuals provided.

All fused spurs must be fitted with 5 amp fuses unless otherwise stated. All fused spurs for the heating system must be from the same source.

Where live conductors are sleeved in a colour other than brown, coloured marker sleeves should be fitted at the ends of the wires to identify them.

Isolation switches must be fitted where required in accordance with current regulations.

Parts shown in outline are generally supplied by others. Where connections are shown to equipment that is not supplied by Nu-Heat, this is for guidance only. In all such cases the supplier's installation information should be checked before fixing and connecting the equipment.

Call for heat

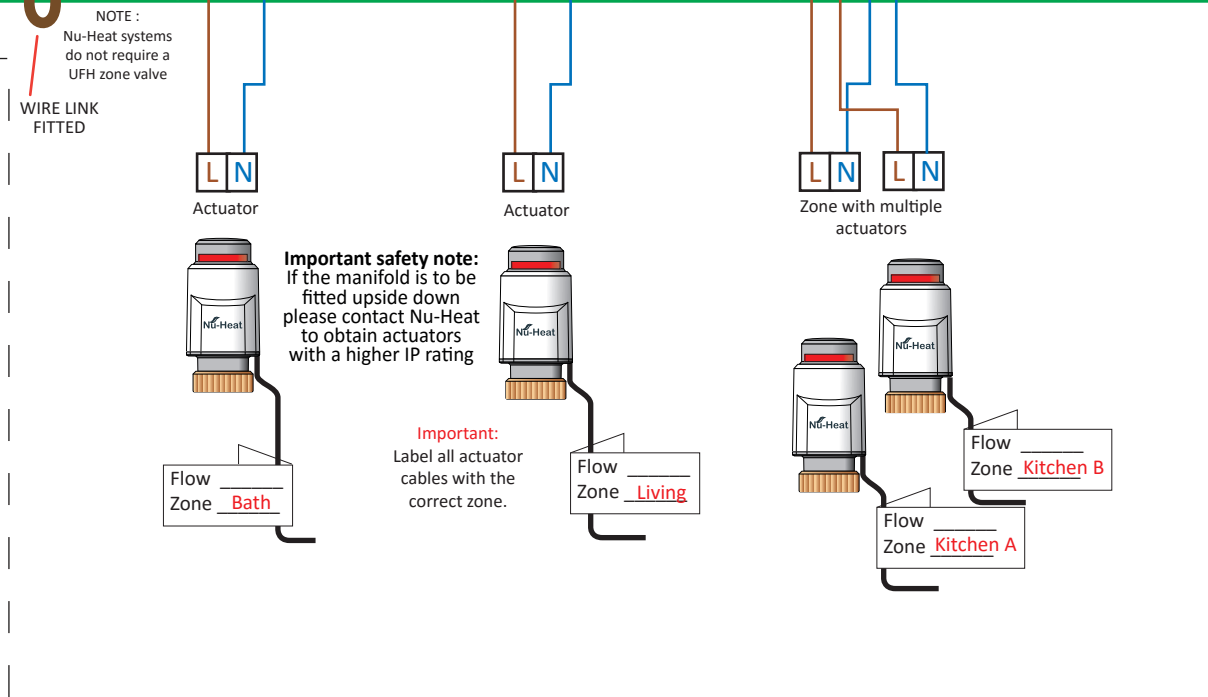
Appearance of pumps may vary

Pump control

Optional local 2-pole isolation switches

Only for heat pumps requiring a call-for-heat. Not required for heat pumps with weather compensation.

Heat pumps with weather compensation: The under floor heating circulators must be controlled by the heat pump. Refer to heat pump supplier for connection details.



In line with the company policy of product development, Nu-Heat reserves the right to supply different components to those shown.

This drawing is not site-specific. The number and type of pumps, wiring centres and thermostats might all vary from those shown.

If there is any aspect of the installation that you do not understand, please contact Nu-Heat Technical, quoting your QR (system reference) number.

Underfloor Heating Control System W2UHMS - Electrical 2nd fix, system with user supplied Heat Pump, Manifold wiring centres and thermostats, Dial 230VAC thermostats

Nu-Heat
 UNDERFLOOR & RENEWABLES

Nu-Heat UK Ltd | Heathpark House | Devonshire Road
 Heathpark Industrial Estate | Honiton | Devon EX14 1SD

Online www.nu-heat.co.uk Phone 01404 540745