














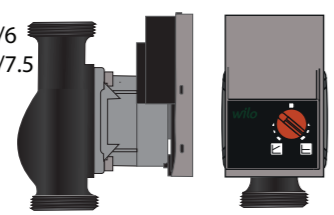
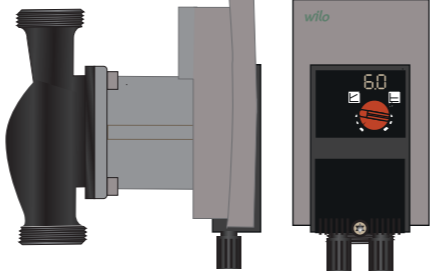





**WARNING!!**

Do not turn on the heat pump. The commissioning of the heat pump is a separate process. The underfloor heating circulators are controlled by the heat pump and so will not run during the following checks.

**Electrical control checklist**

Zone heating controls	
The pipes below the flow valves on the Optiflo manifold should have been marked during installation of the plumbing with the zones to which they run. It is essential for the operation of the system that room thermostats, actuators and flow valves are correctly matched to each other. To check that the matching is correct:	
Check zone details and positions of the Optiflo manifolds (Refer to the A3 Schedule of Thermostats). Take note of any split zones where room thermostats may be required to activate more than one valve actuator.	
1.	 BEFORE APPLYING POWER TO THE HEATING SYSTEM Dial thermostats: Refer to the A3 Schedule of Thermostats. For zones that are required to have a remote sensor, check that these have been connected and internal selector switches set.
	 Turn on the heating system isolation switch.  neoStat and neoAir: Check that all thermostats have been set to "Non-programmable" during installation. This is shown by there being no days-of-the-week at the top of the display.
2. Go to manifold A	 Set all room thermostats to minimum  All actuators should be off with the central button down.
3. Start at the first zone	 Set the zone room thermostat high to produce a call-for-heat.  Check that the correct electrical actuator opens on the manifold. The central button will lift proud of the white cap after a delay of approximately two minutes.  Label the actuator cable to match the pipe zone description.
	 neoStat and neoAir: Refer to the A3 Schedule of Thermostats. For zones that are required to have a floor temperature sensor, press and hold the < and > keys for five seconds. The display should show the floor temperature briefly, then revert.
4. Repeat for other zones	 Set the zone room thermostat to minimum.
5. Go to next manifold	 Repeat stage 3 for all other zones on the manifold.  Repeat steps 2 to 5 for each manifold in turn.
6. Finishing	 Set all room thermostats to normal temperature for the room.

**Commissioning the under floor heating circulator(s)**

Pump model	Wilo Yonos PARA RS25/6 Yonos PARA RS25/7.5 	Wilo Yonos PARA HF 25/7, Yonos PARA HF 25/10, Yonos MAXO 40/12 	Grundfos Magna 1 
Optimum setting	Turn red knob clockwise to Constant Pressure mode, position 6. This corresponds to 6m head. 	Turn red knob clockwise to Constant Pressure mode, until digital display shows 6.0 corresponding to 6m head. 	Press  4 times to cycle through the options until constant pressure mode 3 is lit:  This corresponds to 6m head

**Underfloor Heating Control System**  
CHJ - Commissioning the control system, Heat pump system, all thermostat types



Nu-Heat UK Ltd | Heathpark House | Devonshire Road  
Heathpark Industrial Estate | Honiton | Devon EX14 1SD

Online [www.nu-heat.co.uk](http://www.nu-heat.co.uk) Phone 01404 540745