


W2BMNeBr - Electrical 2nd fix, Boiler system, Manifold wiring centres and thermostats, NeoAir battery wireless thermostats

KEY
Note: colour of wires may vary from those shown. Earth where required

- SL Switched Live
- L Live
- N Neutral
- E Earth
-  Live voltage marker sleeve

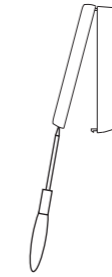
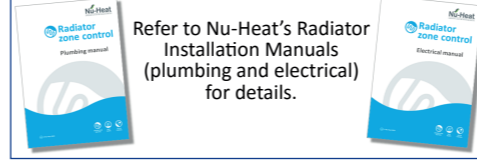
Fitting the remote aerial (supplied)



Radiator circuit (if fitted)

When radiators are used in conjunction with underfloor heating, they must be independently controlled. The wiring for this is not shown here.

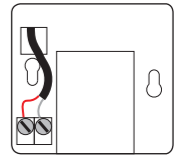
Refer to Nu-Heat's Radiator Installation Manuals (plumbing and electrical) for details.



To access fixing holes, gently prise front face away from thermostat body using a small flat-bladed screwdriver inserted at locking tabs.

Do not push hard on the thermostat LCD screen as this can damage it and it is not repairable.

neoAir battery wireless thermostat



RT2 - Optional remote sensor connection

Either the thermostat's internal sensor, a remote air sensor or a floor sensor may be used to control the heating. To enable the remote sensor, set option 06 "Sensor selection" to:

- 01 = Remote air sensor
- 02 = Remote floor sensor only
- 03 = Internal air sensor and remote floor sensor

Notes:

BS7671: 2008. Requirements for Electrical Installations, IEE Wiring Regulations, Building Regulations Electrical Safety (Part P)

Installation must be carried out by a Competent Person or, failing that, the local building control authority must be notified of the proposed work before commencement and the completed installation must be inspected by a Competent Person.

The schematic should be read in conjunction with the Underfloor heating Installation manual, the Solar manual, any Docking Drawings, 'Product assembly' sheets and the manufacturer's manuals provided.

All fused spurs must be fitted with 5 amp fuses unless otherwise stated. All fused spurs for the heating system must be from the same source.

Where live conductors are sleeved in a colour other than brown, coloured marker sleeves should be fitted at the ends of the wires to identify them.

Isolation switches must be fitted where required in accordance with current regulations.

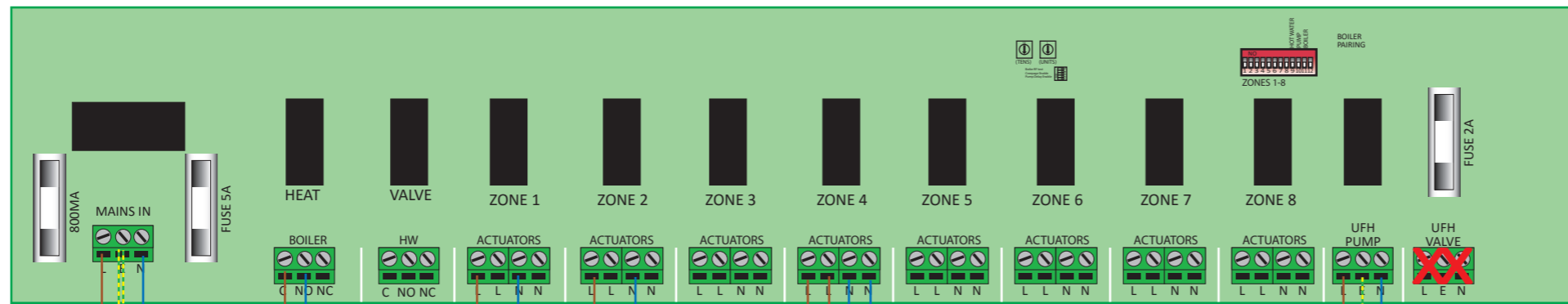
Parts shown in outline are generally supplied by others. Where connections are shown to equipment that is not supplied by Nu-Heat, this is for guidance only. In all such cases the supplier's installation information should be checked before fixing and connecting the equipment.

In line with the company policy of product development, Nu-Heat reserves the right to supply different components to those shown.

This drawing is not site-specific. The number and type of pumps, wiring centres and thermostats might all vary from those shown.

If there is any aspect of the installation that you do not understand, please contact Nu-Heat Technical, quoting your QR (system reference) number.

Underfloor Heating Control System
W2BMNeBr - Electrical 2nd fix, Boiler system, Manifold wiring centres and thermostats, NeoAir battery wireless thermostats

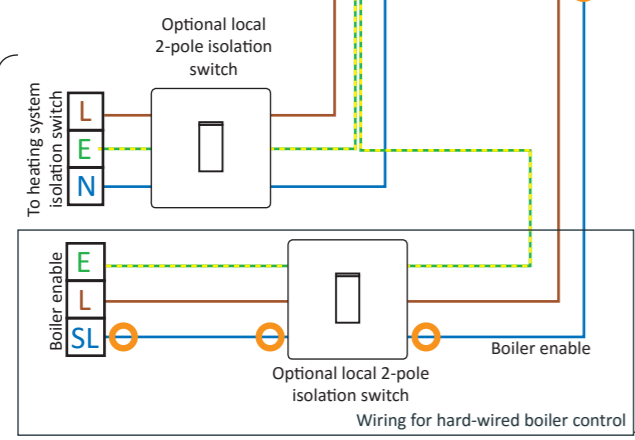


NOTE : Nu-Heat systems do not require a UHF zone valve

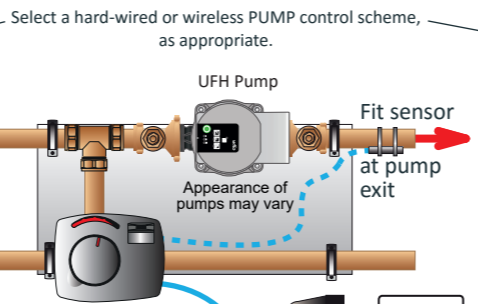
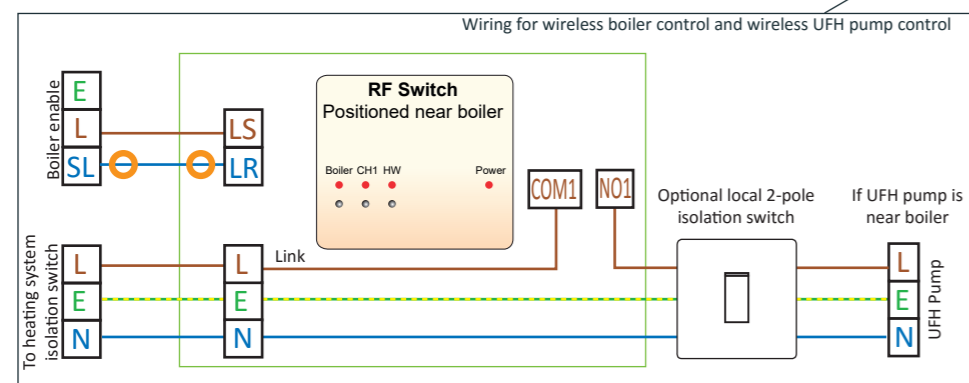
If the under floor heating pump is mounted on the manifold, it must be connected to its local wiring centre only. Wireless control of the UHF pump is not then an option.

Important: Label all actuator cables with the correct zone.

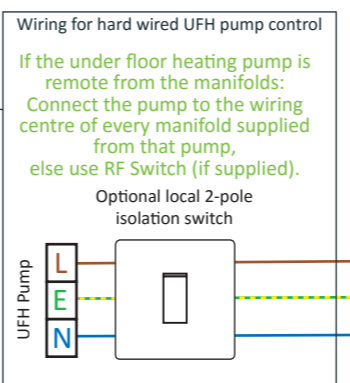
Important safety note: If the manifold is to be fitted upside down please contact Nu-Heat to obtain actuators with a higher IP rating



Select a hard-wired or wireless BOILER control scheme, as appropriate.



Note that the valve control head has a plug-top PSU requiring a local 230VAC ring or spur socket within 1m.
HEAD MUST BE FITTED TO VALVE BEFORE APPLYING POWER



Select a hard-wired or wireless PUMP control scheme, as appropriate.

If the under floor heating pump is remote from the manifolds: Connect the pump to the wiring centre of every manifold supplied from that pump, else use RF Switch (if supplied).



Nu-Heat UK Ltd | Heathpark House | Devonshire Road
Heathpark Industrial Estate | Honiton | Devon EX14 1SD

Online www.nu-heat.co.uk Phone 01404 540745