


W2HPMNeBr - Electrical 2nd fix, Heat pump system, Manifold wiring centres and thermostats, NeoAir battery wireless thermostats

KEY
 Note: colour of wires may vary from those shown. Earth where required

- SL Switched Live
- L Live
- N Neutral
- E Earth

 Live voltage marker sleeve

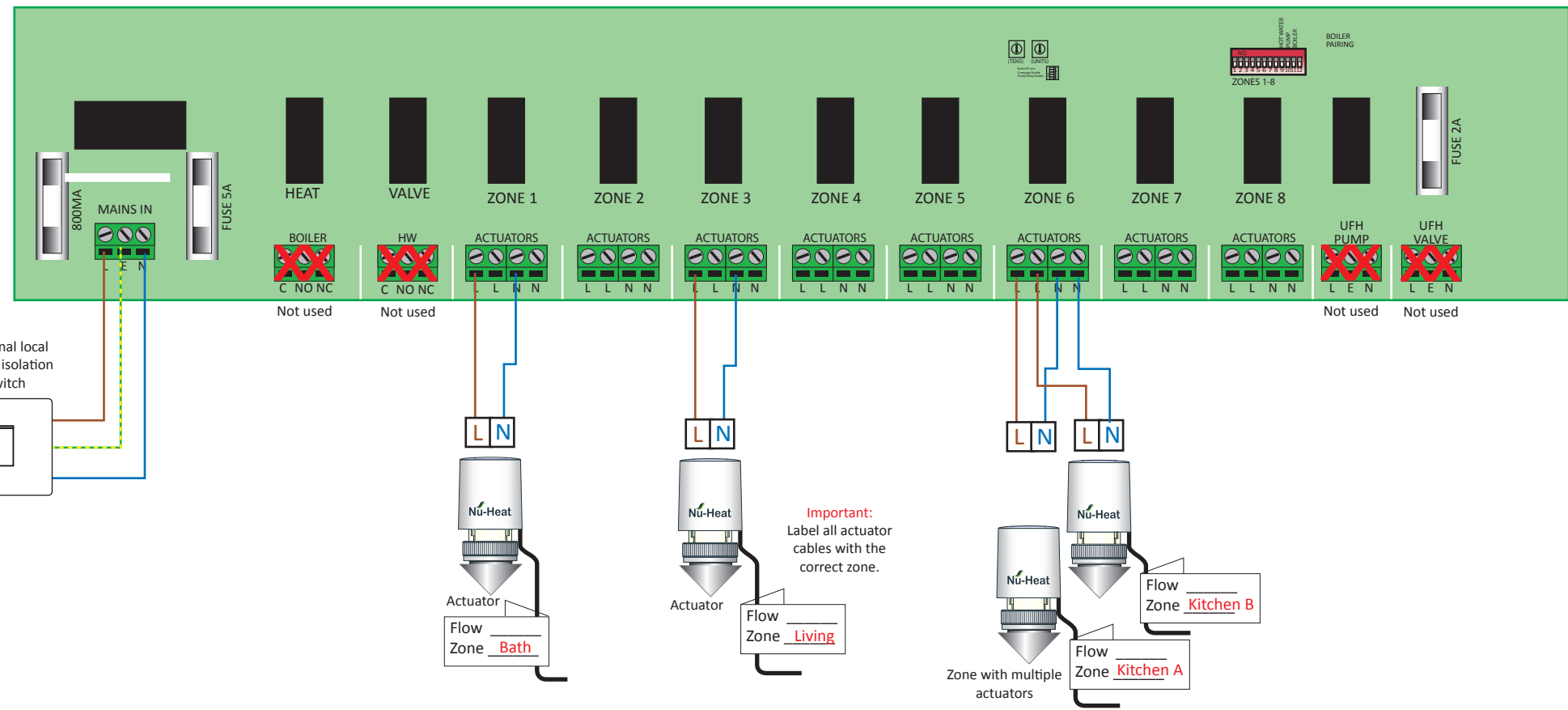


To access fixing holes, gently prise front face away from thermostat body using a small flat-bladed screwdriver inserted at locking tabs.

Do not push hard on the thermostat LCD screen as this can damage it and it is not repairable.

Either the thermostat's internal sensor, a remote air sensor or a floor sensor may be used to control the heating.
 To enable the remote sensor, set option 06 "Sensor selection" to:

- 01 = Remote air sensor
- 02 = Remote floor sensor only
- 03 = Internal air sensor and remote floor sensor



Notes:
 BS7671: 2008. Requirements for Electrical Installations, IEE Wiring Regulations, Building Regulations Electrical Safety (Part P)

Installation must be carried out by a Competent Person or, failing that, the local building control authority must be notified of the proposed work before commencement and the completed installation must be inspected by a Competent Person.

The schematic should be read in conjunction with the Underfloor heating Installation manual, the Solar manual, any Docking Drawings, 'Product assembly' sheets and the manufacturer's manuals provided.

All fused spurs must be fitted with 5 amp fuses unless otherwise stated. All fused spurs for the heating system must be from the same source.

Where live conductors are sleeved in a colour other than brown, coloured marker sleeves should be fitted at the ends of the wires to identify them.

Isolation switches must be fitted where required in accordance with current regulations.

Parts shown in colour are supplied by Nu-Heat and those shown in outline are generally supplied by others. Where connections are shown to equipment that is not supplied by Nu-Heat, this is for guidance only. In all such cases the supplier's installation information should be checked before fixing and connecting the equipment.

In line with the company policy of product development, Nu-Heat reserves the right to supply different components to those shown.

If there is any aspect of the installation that you do not understand, please contact Nu-Heat Technical, quoting your QR (system reference) number.

Underfloor Heating Control System
 W2HPMNeBr - Electrical 2nd fix, Heat pump system,
 Manifold wiring centres and thermostats,
 NeoAir battery wireless thermostats

Nu-Heat
 UNDERFLOOR & RENEWABLES

Nu-Heat UK Ltd | Heathpark House | Devonshire Road
 Heathpark Industrial Estate | Honiton | Devon EX14 1SD

 Online www.nu-heat.co.uk  Phone 01404 540745