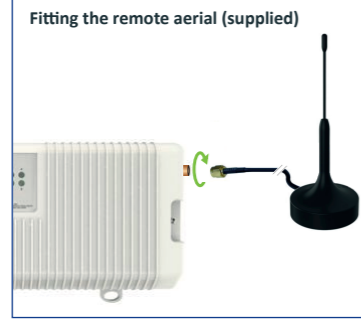
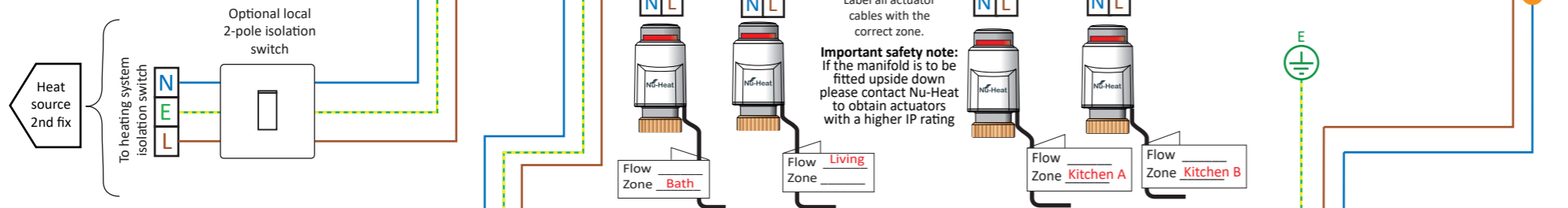
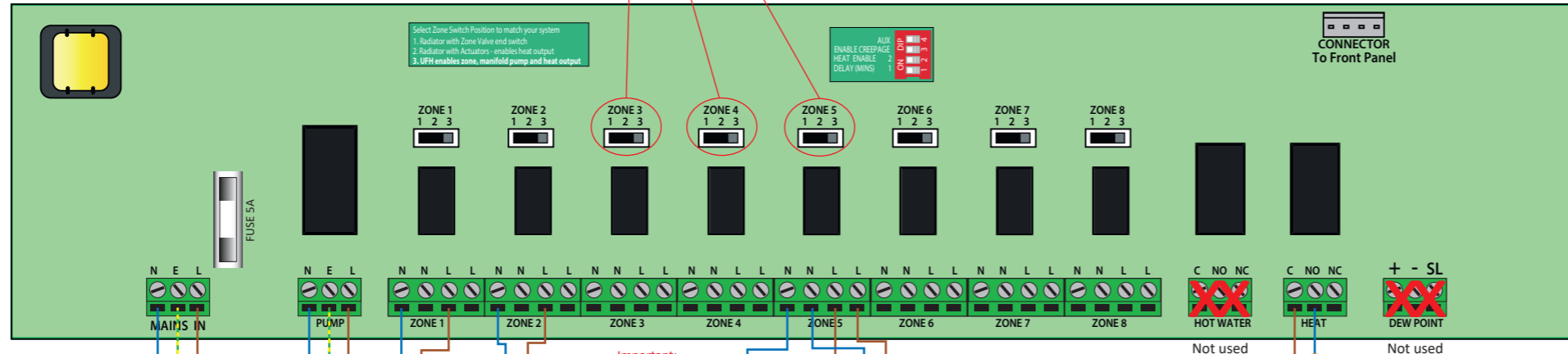


W2UHMNeBr - Electrical 2nd fix, system with user-supplied Heat Pump, Manifold wiring centres and thermostats, NeoAir battery wireless thermostats

- KEY**  
 Note: colour of wires may vary from those shown. Earth where required
- SL Switched Live
  - L Live
  - N Neutral
  - E Earth
  - Live voltage marker sleeve

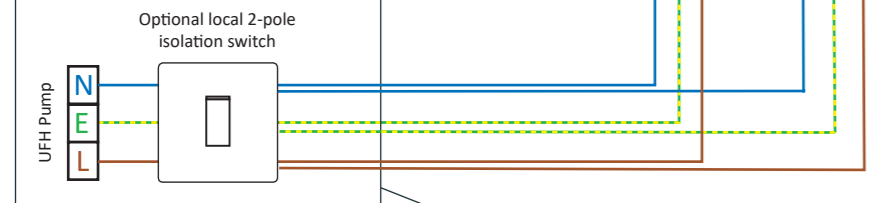


Note: All zone switches must be set to POSITION 3 (UFH)

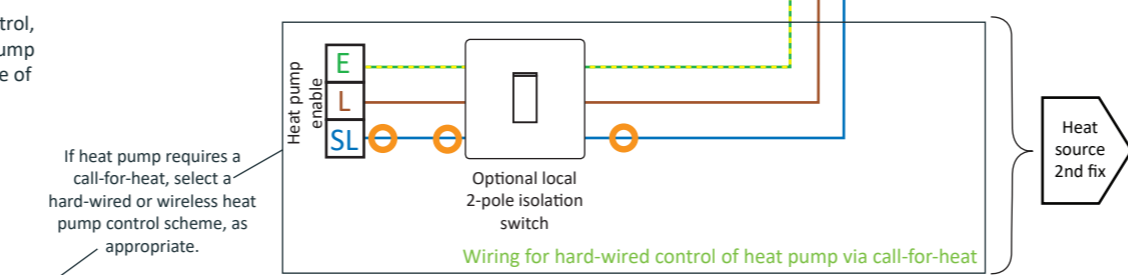


**For a heat pump requiring a call-for-heat**

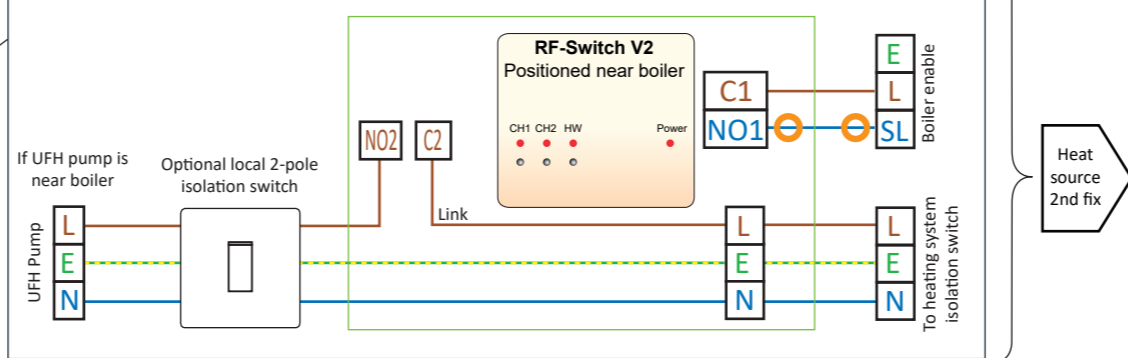
Only if heat pump requires a call-for-heat, and RF-Switch V2 is not used, connect the UFH pump to the wiring centre of every manifold.



If heat pump requires a call-for-heat, select a hard-wired or wireless UFH pump control scheme, as appropriate.

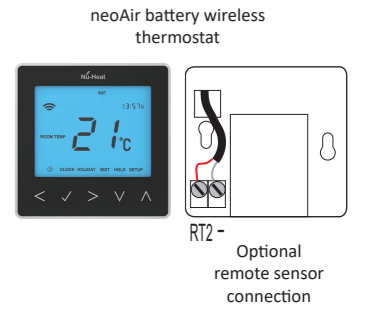
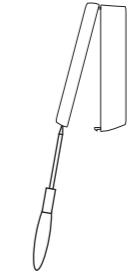
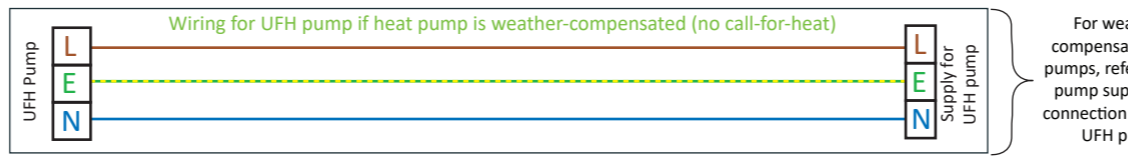
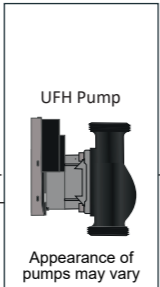


**Wiring for wireless boiler control and wireless UFH pump control**



**For a weather-compensated heat pump**

If heat pump does NOT require a call-for-heat, (weather compensated) connect UFH pump as directed by the heat pump supplier.



To access fixing holes, gently prise front face away from thermostat body using a small flat-bladed screwdriver inserted at locking tabs.

Do not push hard on the thermostat LCD screen as this can damage it and it is not repairable.

Either the thermostat's internal sensor, a remote air sensor or a floor sensor may be used to control the heating. To enable the remote sensor, set option 06 "Sensor selection" to:

- 01 = Remote air sensor only
- 02 = Remote floor sensor only
- 03 = Internal air sensor and remote floor sensor

**Notes:**

BS7671: 2008. Requirements for Electrical Installations, IEE Wiring Regulations, Building Regulations Electrical Safety (Part P)

Installation must be carried out by a Competent Person or, failing that, the local building control authority must be notified of the proposed work before commencement and the completed installation must be inspected by a Competent Person.

The schematic should be read in conjunction with the Underfloor heating Installation manual, the Solar manual, any Docking Drawings, 'Product assembly' sheets and the manufacturer's manuals provided.

All fused spurs must be fitted with 5 amp fuses unless otherwise stated. All fused spurs for the heating system must be from the same source.

Where live conductors are sleeved in a colour other than brown, coloured marker sleeves should be fitted at the ends of the wires to identify them.

Isolation switches must be fitted where required in accordance with current regulations.

Parts shown in outline are generally supplied by others. Where connections are shown to equipment that is not supplied by Nu-Heat, this is for guidance only. In all such cases the supplier's installation information should be checked before fixing and connecting the equipment.

In line with the company policy of product development, Nu-Heat reserves the right to supply different components to those shown.

This drawing is not site-specific. The number and type of pumps, wiring centres and thermostats might all vary from those shown.

If there is any aspect of the installation that you do not understand, please contact Nu-Heat Technical, quoting your QR (system reference) number.

**Underfloor Heating Control System**  
 W2UHMNeBr - Electrical 2nd fix, system with user-supplied Heat Pump, Manifold wiring centres and NeoAir battery wireless thermostats



Nu-Heat UK Ltd, Heathpark House,  
 Devonshire Road, Heathpark Industrial Estate,  
 Honiton, Devon, EX14 1SD

Online [www.nu-heat.co.uk](http://www.nu-heat.co.uk) Phone 01404 549770